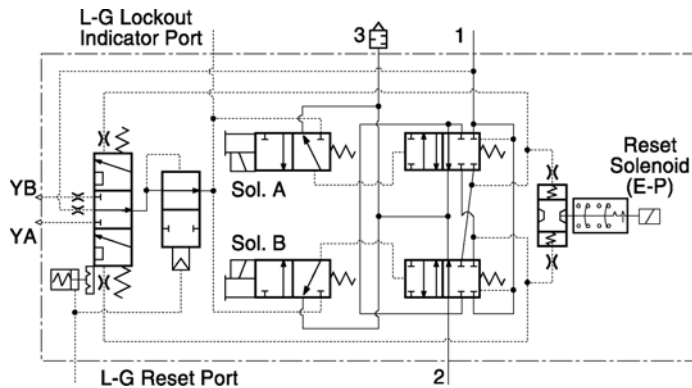


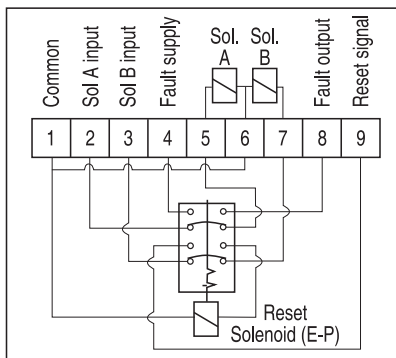
Product Information

SERPAR® Double Valves with Dual Monitoring Includes Both L-G and E-P Monitors – Sizes 8, 12, & 30

CSA Z142
Compliant



Size 8



STANDARD SPECIFICATIONS

- Pilot Solenoid:** Two, rated for continuous duty.
Standard Voltages: 100-110 volts 50 Hz; 100-120 volts 60 Hz; 24 volts D.C.
- Power Consumption:** Each solenoid, 87 VA inrush, 30 VA holding on 50 or 60 Hz; 14 watts on D.C.
- Reset Solenoid (E-P):** Rated for intermittent duty.
Standard Voltages: Same as above for pilot solenoids.
- Electrical Connections:** Terminal Strip
- Ambient Temperature:** 40° to 120° F (4° to 50° C).
- Media Temperature:** 40° to 175° F (4° to 80° C).
- Flow Media:** Filtered air; 5 micron recommended.
- Inlet Pressure:** 30 to 125 psig (2 to 8.5 bar).
- Reset Pressure (L-G):** 60 psig (4 bar) minimum.

ROSS' new SERPAR® Double Valves with Dual Monitoring provide the reliability and durability you have come to expect from ROSS since the introduction of the first monitored double valves for mechanical power press safety in 1954.

These dual-monitored valves are based on the proven technology of the SERPAR® family of double valves, adding independent signal sources and redundant monitoring to meet CSA Z142 (Canadian Standards Association) requirements for safety circuit performance.

Incorporating both ROSS' L-G and E-P monitoring systems provides redundancy in monitoring through two separate, dissimilar monitors. The actuating solenoids are wired independently through a double-pole, double-throw switch in the E-P monitor.

These new SERPAR® Double Valves with Dual Monitoring are available in sizes 8, 12, and 30, with port sizes ranging from 1/2 to 2. The valves mount inline via removable flanges, and are available with or without manual overrides.

FEATURES:

- SERPAR® technology
- Dual monitoring – E-P & L-G
- DPDT (double-pole, double-throw) switch
- 3/2 normally closed function
- Rugged poppet technology
- PACER® solenoid pilots
- Designed to enable compliance with current safety regulations
- Non-clogging Silencer

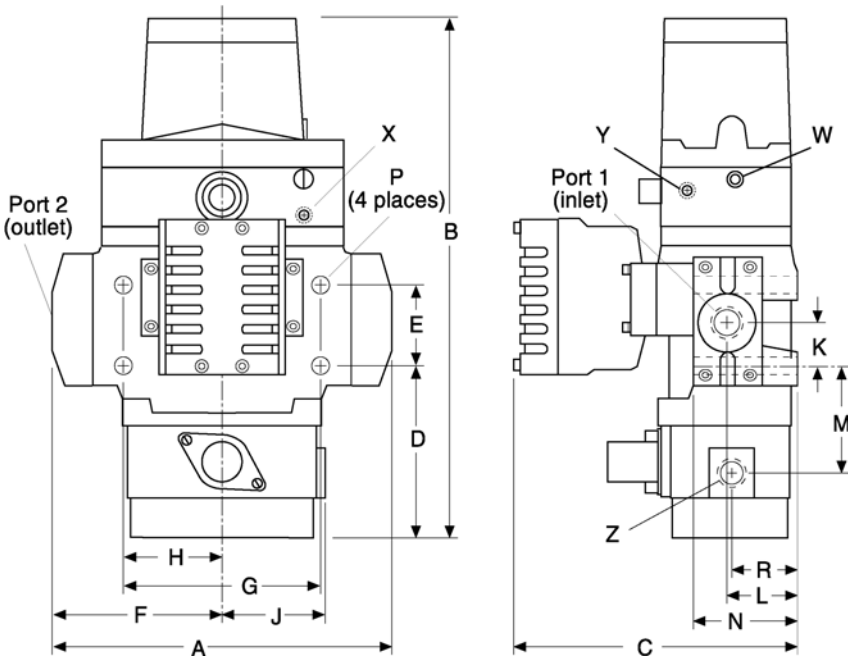
VALVE MODEL NUMBERS and MODEL SPECIFIC INFORMATION

Nominal Size	Port Size	Model Numbers				Avg. Response Constants			Weight lbs (kg)
		With Overrides	Without Overrides	Average C _v		M	F		
				1 to 2	2 to 3		1 to 2	2 to 3	
8	1/2	3573A4148	3573A4168	3.5	10	15	0.70	0.30	17.0 (7.7)
	3/4	3573A5148	3573A5168	4.0	14		0.65	0.23	
	1	3573A6158	3573A6178	4.0	14		0.65	0.23	
12	3/4	3573A5158	3573A5178	8.0	15	20	0.33	0.21	21.0 (9.5)
	1	3573A6168	3573A6188	8.5	19		0.28	0.21	
	1-1/4	3573A7168	3573A7188	9.0	21		0.28	0.21	
30	1-1/4	3573A7158	3573A7178	20	42	25	0.19	0.07	39.5 (17.9)
	1-1/2	3573A8168	3573A8188	21	43		0.18	0.07	
	2	3573A9168	3573A9188	24	42		0.14	0.10	

VALVE MODELS WITHOUT PIPING FLANGES (For replacement purposes)

8	ALL	3573A4208	3573A4228	See corresponding size above.	15.8 (7.2)
12	ALL	3573A5208	3573A5228		19.5 (8.8)
30	ALL	3573A7208	3573A7228		38.0 (17.2)

Dimensions inches (mm)



Size	8	12	30
Ports	1/2, 3/4, 1	3/4, 1, 1-1/4	1-1/4, 1-1/2
W	1/8 lockout indicator port		
X	1/8 external pilot supply port		
Y	1/8 pneumatic reset port		
Z	1/2 NPSC electrical opening		
A	8.52 (216)	8.96 (228)	12.36 (314)
B	13.3 (338)	14.8 (376)	18.8 (478)
C	7.2 (184)	8.6 (216)	11.1 (282)
D	4.7 (118)	5.0 (127)	5.1 (130)
E	2.10 (53.3)	3.0 (76.2)	5.90 (150)
F	4.26 (108)	4.48 (114)	6.18 (157)
G	5.06 (128)	5.50 (140)	8.56 (217)
H	2.53 (64)	2.75 (70)	4.28 (109)
J	2.63 (67)	2.63 (67)	2.63 (67)
K	1.25 (32)	1.81 (46)	4.52 (115)
L	1.80 (46)	1.69 (43)	2.27 (58)
M	2.44 (62)	2.81 (71)	2.91 (74)
N	2.6 (66)	3.0 (76)	3.7 (93)
P	0.28 (7.1)	0.34 (8.7)	0.53 (13.5)
R	2.70 (43)	1.70 (43)	2.09 (53)
S	3.9 (99)	4.8 (121)	8.9 (227)
T	4.33 (110)	5.22 (133)	9.36 (238)
U	2.45 (62)	2.45 (62)	3.02 (77)
V	2.13 (54)	2.13 (54)	2.13 (54)

CAUTION ON THE USE OF E-P RESET SOLENOID

The E-P reset solenoid is rated only for intermittent duty. Energizing the reset solenoid continuously will nullify the E-P reset function.



ROSS CONTROLS®
U.S.A.
Customer Svs. 1-800-GET-ROSS
Technical Svs. 1-888-TEK-ROSS
www.rosscontrols.com

WARRANTY and CAUTIONS

Standard ROSS warranty and cautions apply, available upon request or at www.rosscontrols.com.

ROSS EUROPA GmbH
Germany

Fax: 49-6103-74694
info@rosseuropa.com

ROSS ASIA® K.K.
Japan

Fax: 81-427-78-7256
custsv@rossasia.co.jp

ROSS UK Ltd.
United Kingdom

Fax: 44-121-559-5309
sales@rossuk.co.uk

ROSS CONTROLS® INDIA Pvt. Ltd.
India

Fax: 91-44-2625-8730
rossindia@airtelbroadband.in

ROSS SOUTH AMERICA Ltda.
Brazil

Fax: 55-11-4335-3888
vendas@ross-sulamerica.com.br

DIMAFLUID s.a.s.
France

Fax: 33-01-4945-6530
dimafuid@dimafuid.com

ROSS CONTROLS(CHINA) Ltd.
China

Fax: 86-21-6915-7960
alvinzhurong@vip.163.com