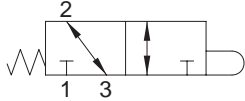


New Product Introduction

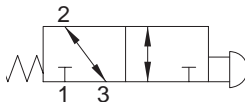
Manual Valves 3-Way Spring Return or Detented Port Sizes 1/8 and 1/4

Flush Push Button Valve



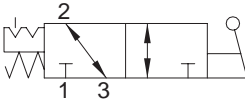
3/2 Normally Closed (NC)
3/2 Normally Open (NO)

Mushroom Button Valve



3/2 Normally Closed (NC)
3/2 Normally Open (NO)

Selector Switch Valve



3/2 Normally Closed (NC)
3/2 Normally Open (NO)

STANDARD SPECIFICATIONS:

Ambient/Media Temperature: 40° to 175°F (4° to 80 °C).

Flow Media: Filtered air; 5 micron recommended.

Inlet Pressure: 5 to 150 psig (0.3 to 10.3 bar).

Valve Body: Die-cast aluminum.

Button Materials: Stainless steel, polyoxymethylene.

Spool Material: Aluminum.

Seals Material: Nitrile rubber.

Spring Material: Stainless Steel.

Switch Parts: Glass filled Nylon, polyoxymethylene.

Port Threads: NPT, BSPP.

Vaild Operation Distance: 0.22 inches (5.5 mm)

Invaild Operation Distance: 0.04 inches (1.0 mm)

Pressure for Vaild/Invalid Operation: 7.7 lb (3.5 Kg)



Flush Push Button Valves



Mushroom Button Valves



Selector Switch Valve

GENERAL:

Flush Push Button or Mushroom Button Valve:

- Button actuators available in red or green

Selector Switch Valve:

- Switch actuator available in black

Operation:

Valve actuator must be held in actuated position to keep valve shifted; spring return for pushbutton and mushroom button actuator, detented for selector switch actuator.

Normally Closed or Normally Open Operations - simply by piping the inlet supply accordingly.

Manual Valves Series 12

Port Size	Valve Type	Valve Model Number		Avg. C _v	Dimensions inches (mm)			Weight lb (kg)
		Green Button	Red Button		A	B	C	
Flush Push Button Actuator								
1/8	3/2	1223B1FPG	1223B1FPR	0.6	1.4 (35)	3.9 (99)	0.8 (21)	0.28 (0.13)
1/4	3/2	1223B2FPG	1223B2FPR	0.9	1.6 (40)	3.9 (99)	1.0 (25)	0.34 (0.15)

Mushroom Button Actuator								
1/8	3/2	1223B1MBG	1223B1MBR	0.6	1.4 (35)	4.4 (111)	0.8 (21)	0.29 (0.13)
1/4	3/2	1223B2MBG	1223B2MBR	0.9	1.6 (40)	4.4 (111)	1.0 (25)	0.35 (0.16)

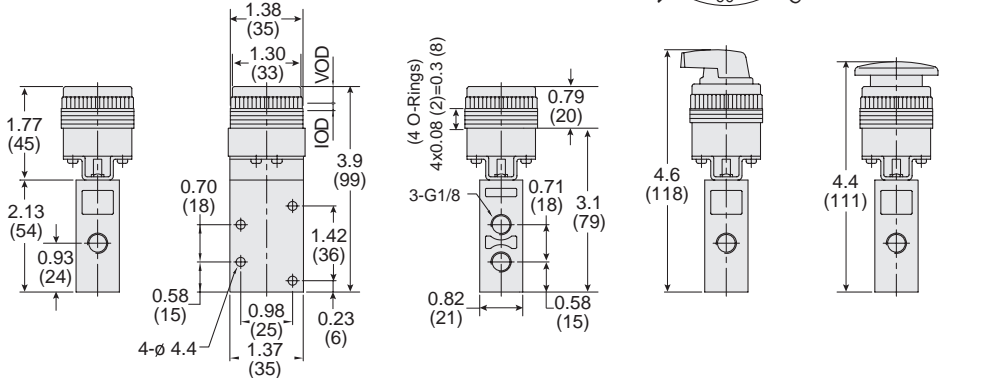
Selector Switch Actuator								
Port Size	Valve Type	Valve Model Number		Avg. C _v	Dimensions inches (mm)			Weight lb (kg)
		Black Switch Knob			A	B	C	
1/8	3/2	1223B1SLB		0.6	1.4 (35)	4.6 (118)	0.8 (21)	0.31 (0.14)
1/4	3/2	1223B2SLB		0.9	1.6 (40)	4.6 (118)	1.0 (25)	0.37 (0.17)

For BSPP threads add a "D" prefix to the model number e.g., D1223B1FPG.

Port Thread 1/8

Dimensions – inches (mm)

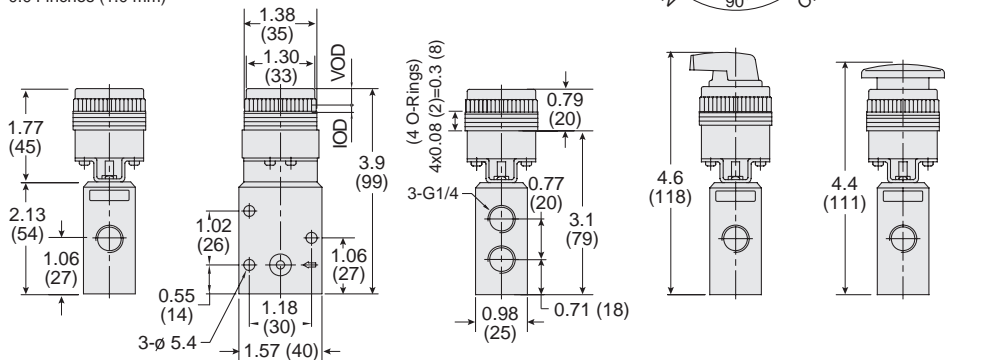
VOD (Valid Operation Distance):
0.22 inches (5.5 mm)
IOD (Invalid Operation Distance):
0.04 inches (1.0 mm)



Port Thread 1/4

Dimensions – inches (mm)

VOD (Valid Operation Distance):
0.22 inches (5.5 mm)
IOD (Invalid Operation Distance):
0.04 inches (1.0 mm)



WARRANTY and CAUTIONS Standard ROSS warranty and cautions apply, available upon request or at www.rosscontrols.com.



ROSS CONTROLS
U.S.A.
Customer Svs. 1-800-GET-ROSS
Technical Svs. 1-888-TEK-ROSS
www.rosscontrols.com

ROSS EUROPA GmbH
Germany
Fax: 49-6103-74694
info@rosseuropa.com

ROSS ASIA K.K.
Japan
Fax: 81-427-78-7256
custsvc@rossasia.co.jp

ROSS UK Ltd.
United Kingdom
Fax: 44-121-559-5309
sales@rossuk.co.uk

ROSS CONTROLS INDIA Pvt. Ltd.
India
Fax: 91-44-2625-8730
rossindia@airtelmail.in

ROSS SOUTH AMERICA Ltda.
Brazil
Fax: 55-11-4335-3888
vendas@ross-sulamerica.com.br

DIMAFLUID s.a.s.
France
Fax: 33-01-4945-6530
dimafluid.com

ROSS CONTROLS [CHINA] Ltd.
China
Fax: 86-21-6915-7960
rosscontrolschina.com