

New Product Introduction

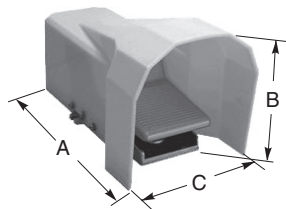
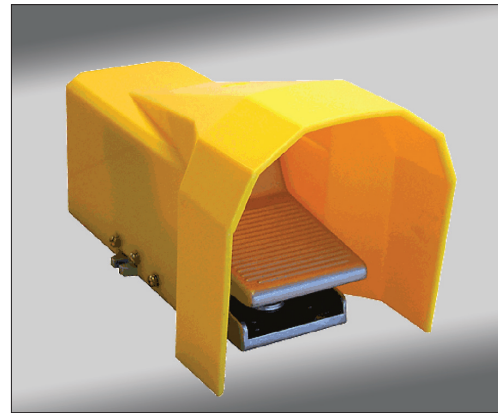
Mechanical Foot Pedal Operated Valves Pedal with Guard Locking and Non-Locking 5/2 Port Sizes 1/4

*Designed to meet
OSHA 1910.217 Mechanical power presses,
with protective guard to prevent accidental actuation.*

GENERAL:

ROSS Foot Pedal operated valves conveniently allow hands free operation, a direct acting 5-ports, 2-position valve easy to operate with minimum maintenance required.

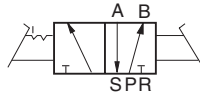
Convertible to a 3-way function.
Ruggedly-built for extended life.



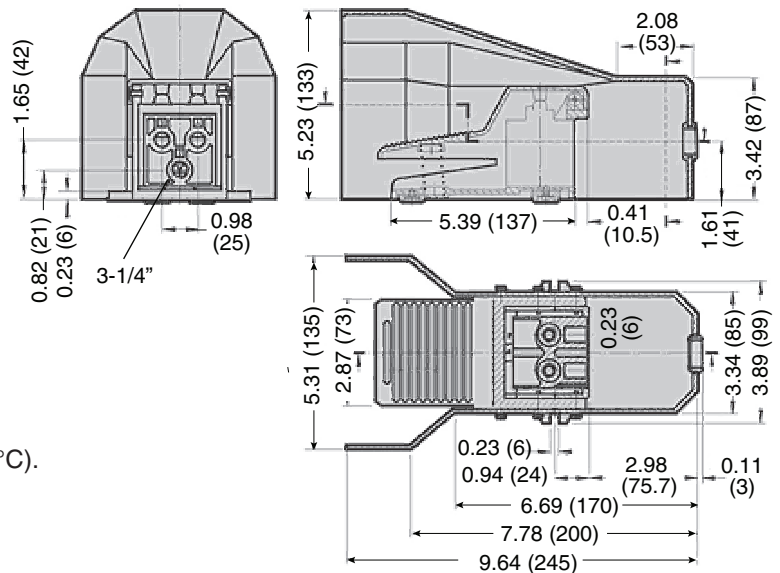
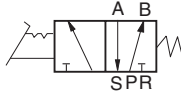
Port Size	Valve Type	Valve Model Numbers*	Avg. C _v	Dimensions inches (mm)			Weight lb (kg)
				A	B	C	
1/4	5/2 - Pedal with Guard	RM4F210-08G*	0.5	9.6 (245)	5.2 (133)	5.3 (135)	2.1 (0.9)
1/4	5/2 - Pedal with Guard	RM4F210-08LG**	0.5	9.6 (245)	5.2 (133)	5.3 (135)	2.1 (0.9)

*Non-locking foot pedal. ** Locking foot pedal.

5/2 Pedal
detented
(with Lock)



5/2 Pedal
spring return
(without Lock)



STANDARD SPECIFICATIONS:

Ambient/Media Temperature: 23° to 140°F (-5° to 60°C).

Flow Media: Filtered air; 5 micron recommended.

Pressure Range : 0 to 120 psig (0 to 8.2 bar).

Port Threads: NPT.

Other Manual and Foot Operated Valves available, please visit www.rosscontrols.com for more options.

For additional information or order placement, consult ROSS.



ROSS CONTROLS
U.S.A.
Customer Svs. 1-800-GET-ROSS
Technical Svs. 1-888-TEK-ROSS
www.rosscontrols.com

WARRANTY and CAUTIONS

Standard ROSS warranty and cautions apply, available upon request or at www.rosscontrols.com.

ROSS EUROPA GmbH
Germany
Fax: 49-6103-74694
info@rosseuropa.com

ROSS ASIA K.K.
Japan
Fax: 81-427-78-7256
custsvc@rossasia.co.jp

ROSS UK Ltd.
United Kingdom
Fax: 44-121-559-5309
sales@rossuk.co.uk

ROSS CONTROLS INDIA Pvt. Ltd.
India
Fax: 91-44-2625-8730
rossindia@airtelmail.in

ROSS SOUTH AMERICA Ltda.
Brazil
Fax: 55-11-4335-3888
vendas@ross-sulamerica.com.br

DIMAFLUID s.a.s.
France
Fax: 33-01-4945-6530
dimafluid@dimafluid.com

ROSS CONTROLS(CHINA) Ltd.
China
Fax: 86-21-6915-7960
alvinzhurong@vip.163.com