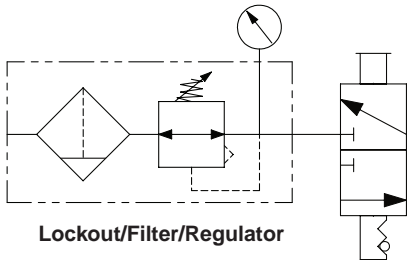


New Product Introduction

Stainless Steel L-O-X[®] Air Entry Combination

Lockout Valve with Integrated Filter/Regulator

Ports 1/4" thru 1"



Lockout/Filter/Regulator
ISO Symbol
Lockout Manual Drain Self-relieving



STANDARD SPECIFICATIONS:

Ambient/Media Temperature: 30° to 175°F (-1° to 80°C).

Note: For lower temperature ratings, consult ROSS.

Flow Media: Filtered air.

Inlet Pressure: 0 to 300 psig (0 to 20.7 bar).

Secondary Pressure: 7 to 174 psig (0.5 to 12 bar).

Port Threads: NPT, for BSPP consult ROSS.

Seals: Fluorocarbon (Viton).

Lock Hole Diameter:

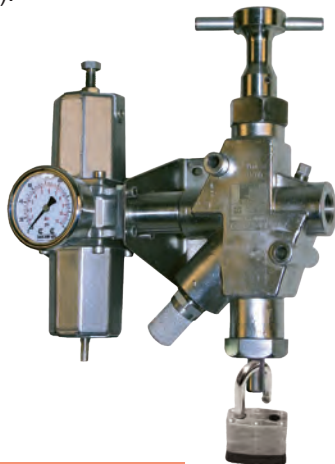
Port sizes 1/4 thru 1:
0.34 inch (8.64 mm).

Length of Hole:

Port size 1/4:
0.44 in (11.17mm).

Port size 1/2:
0.47 in (11.93mm)

Port size 1:
0.55 inch (13.97 mm).



Referenced Standards:

All standards are subject to revision. Parties are encouraged to investigate and apply the most recent editions of the standards indicated below.

OSHA 29 CFR 1910.147

CSA Z142-10; CSA Z460-05

ISO 13849-1; ISO 14118:2000

EN 1037; ANSI Z244.1- 2003(R2008)

ANSI/PMMI B155.1- 2011;

ANSI B11.TR6-2010

Meets NACE MR-0175 material requirements.

GENERAL:

The Stainless Steel L-O-X[®] Air Entry is a combination Lockout Valve with Integrated Filter/Regulator in a high flow, compact space saving design. Full flow exhaust meets all the applicable standards. ROSS L-O-X[®] valves are energy isolation valves and are generally used as the first valve in a line supplying compressed air to equipment.

Air can be shut off by pushing the L-O-X[®] handle inward; downstream air is simultaneously exhausted through the L-O-X[®] exhaust port. Many standards & regulations, e.g., OSHA, require that the valve be padlocked in this position to prevent handle from being pulled out inadvertently during maintenance and/or servicing.

FEATURES:

- Block and bleed single action
- Corrosion-resistant 316 Stainless Steel construction
- Only lockable in the off position
- Has a full size exhaust port (equal to or larger than supply)
- Has a visible indicator of pressure release (verification port)
- Easy to operate (positive push/pull operation-detented)
- Filter and regulator consolidated into a single space-saving assembly
- Manual drain; auto drain optional



APPLICATIONS:

- Chemical Processing • Forestry • Mining • Pharmaceutical
- Pulp and Paper • Oil and Gas • Off-shore Industries

www.rosscontrols.com

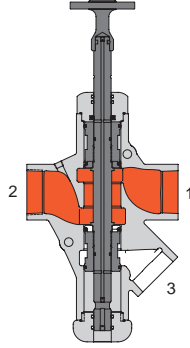


Stainless Steel L-O-X[®] Air Entry Combination

Valve Operation

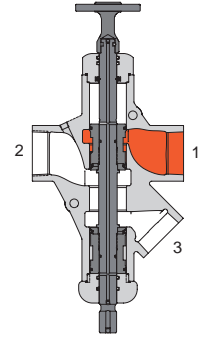
VALVE OPEN

When the handle is pulled out, supply air flows freely from inlet to outlet and flow to exhaust is blocked. A detent keeps the handle in the open position. The handle is not designed to be locked in this position, thereby providing for ready shut-off when necessary.



VALVE CLOSED

With a push of the handle inward, the flow of supply air is blocked and downstream air is exhausted via the exhaust port while servicing or maintaining machinery. Padlock the L-O-X[®] valve in this position to prevent the handle from being pulled outward inadvertently to avoid potential for human injury while servicing machinery.

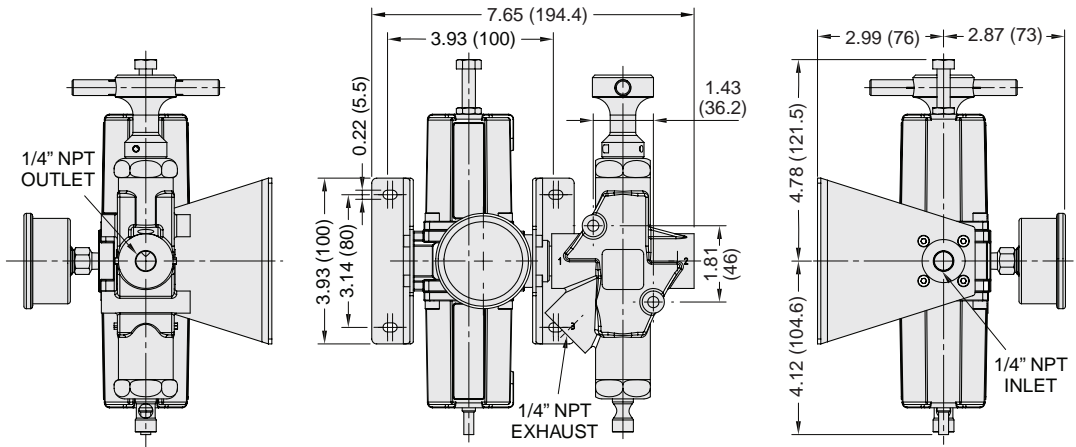


Model Number*	Air Entry Type	Port Size		Avg. C _v		Dimensions (inches/mm)		
		1-2	3	1-2	2-3	Length	Width	Depth
RCO10-13	FR	1/4	1/4	2.14	2.08	8.9 (226.1)	7.65 (194.4)	5.86 (149)
RCO11-13	FR	1/2	1/2	4.4	6.24	10.24 (260)	8.98 (228)	5.94 (151)
RCO12-13	FR	3/4	1	5.0	17.0	15.75 (400)	12.24 (311)	6.49 (165)
RCO13-13	FR	1	1	8.0	17.0	15.75 (400)	12.24 (311)	6.49 (165)

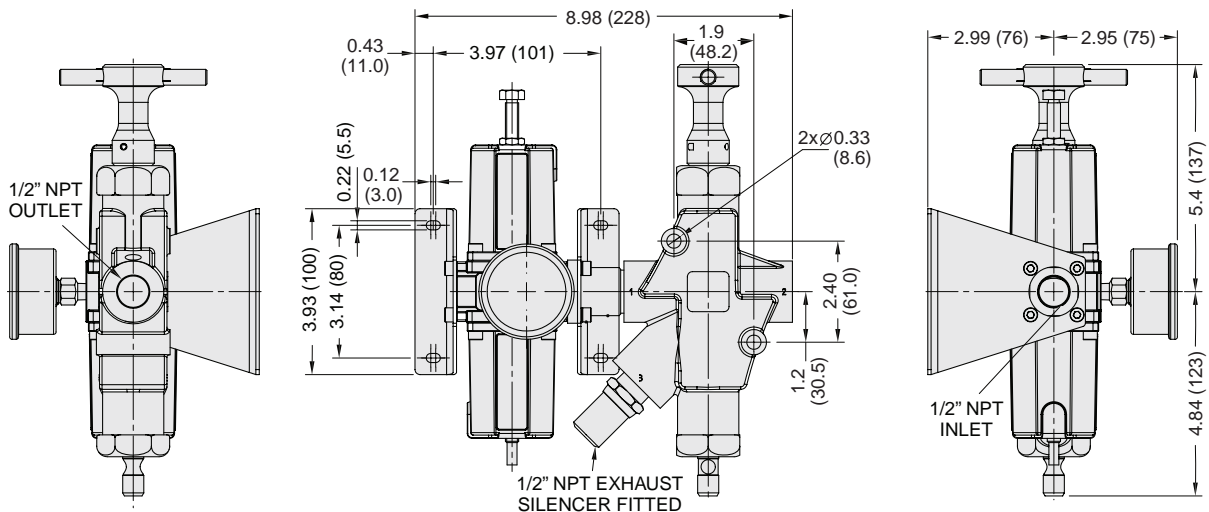
* NPT pressure port threads. For BSPP threads, consult ROSS.

Dimensions: inches (mm)

Port Size 1/4



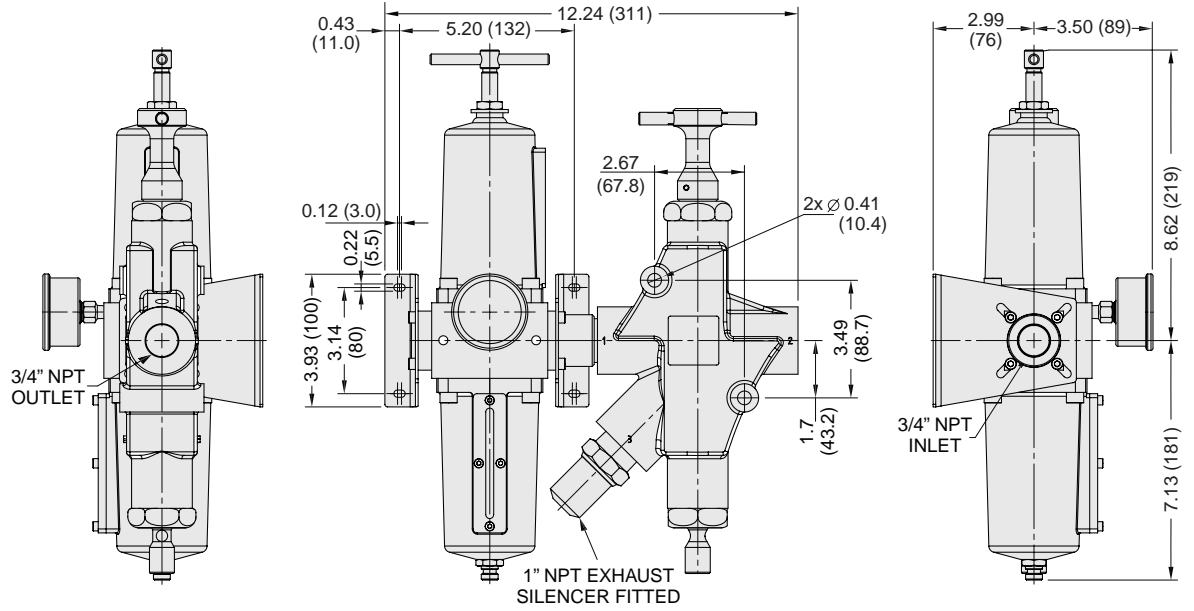
Port Size 1/2



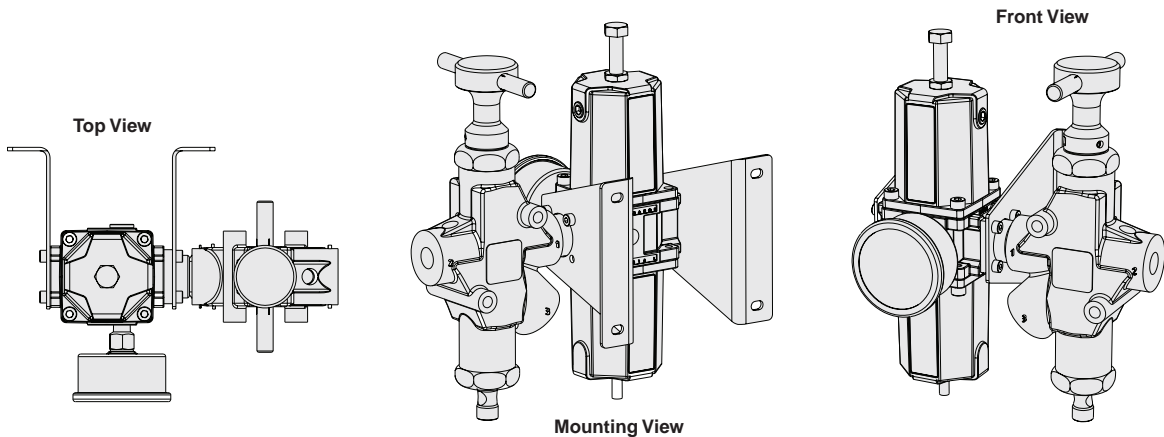
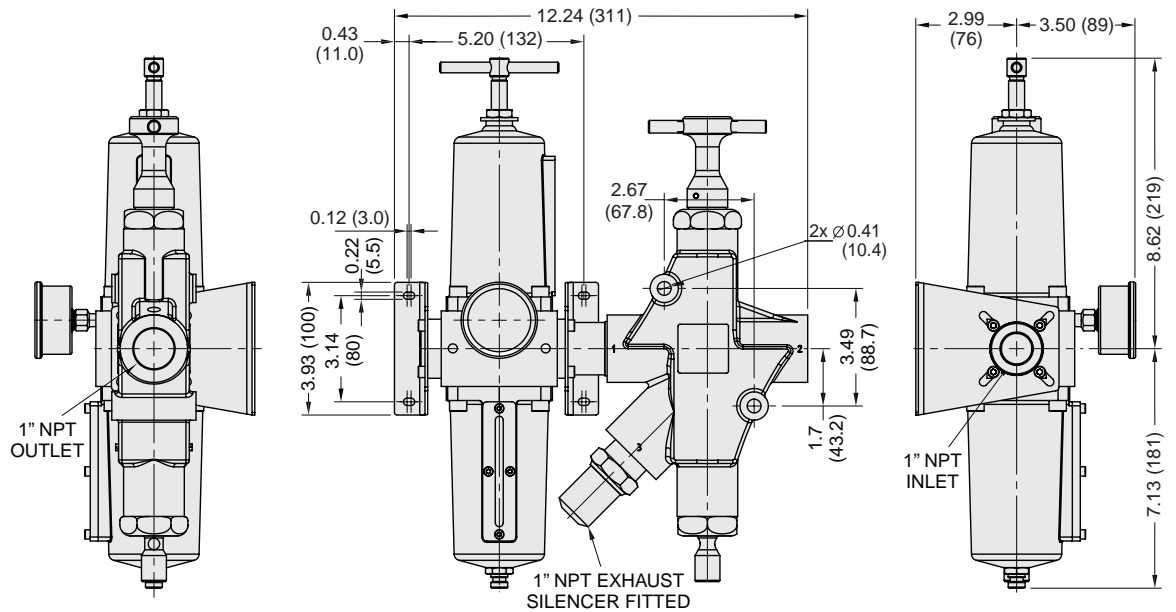
Stainless Steel L-O-X[®] Air Entry Combination

Dimensions: inches (mm)

Port Size 3/4



Port Size 1



AIR ENTRY COMBINATION ACCESSORIES

Silencers

316 Stainless Steel sintered element silencers used to protect ports open to the atmosphere.

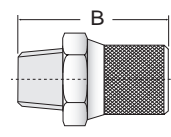
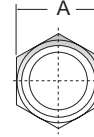
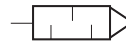
Pressure Range: 174 psig (12 bar) maximum.

Seals: Nitrile

Port Size	NPT Threads	Model Number	Avg. C _v	Dimensions inches (mm)	
				A	B
1/4	Male	5500A2005	1.5	0.67 (17)	1.50 (38)
1/2	Male	5500A4005	3.5	0.94 (24)	2.17 (55)
1	Male	5500A6005	5.7	1.41 (36)	2.95 (75)

* NPT port threads. For BSPP threads, add the letter "D" in front of the part number.

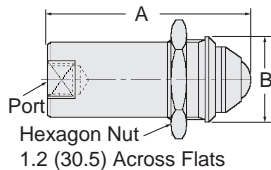
Silencers



Pneumatic Energy Release Verification Options

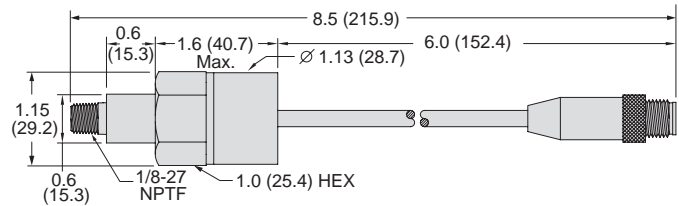
Visual Indicator

- 316 Stainless Steel Body, Internals and Springs
- Nitrile Seals • Visual Indicator piston, Acetal
- Visual Indicator assembly, Acetal with acrylic lens



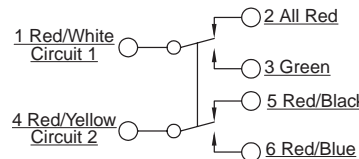
Pressure Switch

- 316 Stainless Steel Body • Nitrile Seals
- DPDT (Double-Pole Double-Throw Switch • Factory preset 5 psi (falling)

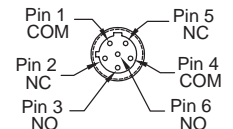


Model Number	Inlet Port Size*	Verification Option	Dimensions inches (mm)		Weight lb (kg)
			A (Length)	B (Width)	
1155H30	1/8	Visual Indicator	2.33 (59.3)	1.00 (25.4)	0.22 (0.1)
1162A30	1/8	Pressure Switch	8.50 (215.9)	1.15 (29.2)	0.23 (.01)

* NPT port threads.



Pin Configuration



Stainless Steel Cabinet for Caustic Environments

Control Reliable Energy Isolation

Manual energy isolation device (L-O-X[®]) located outside the cabinet is stainless steel and designed for caustic environments.

Stainless steel control cabinet includes filter/regulator and Category 4 DM^{2®} valve for air entry control.

Control cabinet is built with slanted top to avoid pooling.



Will build to your specifications!

For more information on Stainless Steel Cabinet for caustic environments please contact ROSS' Global Safety Team, email: sales.info@rosscontrols.com.



ROSS CONTROLS
U.S.A.

Customer Svs. 1-800-GET-ROSS
Technical Svs. 1-888-TEK-ROSS
sales@rosscontrols.com
www.rosscontrols.com

ROSS EUROPA GmbH
Germany
Tel: 49-(0)6103-7597-0
www.rosseuropa.com

WARRANTY, CAUTIONS and WARNINGS

Standard ROSS warranty, cautions and warnings apply, available upon request or at www.rosscontrols.com.

ROSS ASIA K.K.
Japan
Tel: 81-42-778-7251
www.rossasia.co.jp

ROSS UK Ltd.
United Kingdom
Tel: 44-(0)1543-671495
www.rossuk.co.uk

ROSS CONTROLS INDIA Pvt. Ltd.
India
Tel: 91-44-2624-9040
rossindia@airtelmail.in

ROSS SOUTH AMERICA Ltda.
Brazil
Tel: 55-11-4335-2200
vendas@ross-sulamerica.com.br

DIMAFLUID s.a.s.
France
Tel: 33-01-49-45-65-65
www.dimafluid.com

ROSS CONTROLS (CHINA) Ltd.
China
Tel: 86-(0)21-6915-7951
www.rosscontrolschina.com