

NEW ROSS®
FILTERS
PRESSURE REGULATORS
LUBRICATORS
SILENCERS, RECLASSIFIERS



• *Manufacturers of Premium Pneumatic Controls since 1921* •

ROSS

Consider it **DONE!**

ROSS CONTROLS®

ROSS CONTROLS®

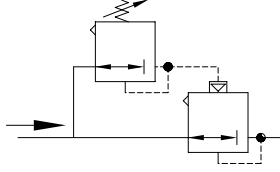
ROSS CONTROLS®

New Product Introduction

High-Relief Pilot Operated Regulator

Port sizes 1/4 thru 1 1/4

ISO Symbol
With conventional pilot regulator



STANDARD SPECIFICATIONS

Ambient/Media Temperature:

0° to 158°F (-18° to 70°C).

Body and Dome: Zinc.

Fluid Media: Compressed Air.

Inlet Pressure: 400 psig (27.6 bar) Maximum.

Outlet Pressure: Adjustable up to 250 psig (17.3 bar).

Pilot/Gauge Ports:

1/4-NPT Inlet/Outlet Ports, 1/4-NPT gauge Ports

3/8-NPT Inlet/Outlet Ports, 3/8-NPT gauge Ports

1/2-NPT Inlet/Outlet Ports, 1/2-NPT gauge Ports

3/4-NPT Inlet/Outlet Ports, 1/2-NPT gauge Ports

1-NPT Inlet/Outlet Ports, 1/2-NPT gauge Ports

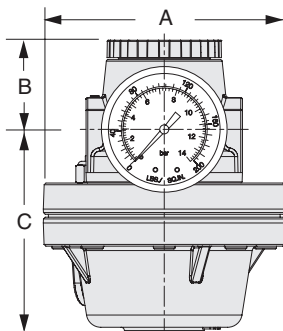
1 1/4-NPT Inlet/Outlet Ports, 1/2-NPT gauge Ports

Pressure Gauge: 0 to 200 psig (0 to 14 bar) standard, 1/4-NPTF (1/4 BSPP) gauge ports front and rear; 0 to 600 psig (0 to 40 bar) optional.

Seals: Nitrile.

Valve: Brass.

Valve Cap: Glass filled Nylon.



General:

Designed for systems that require high flow, relief and pressure regulation. Can be installed in an inaccessible location with control regulator in an accessible location.

Inline mounting:

NPTF port threads standard; BSPP port threads.

FEATURES:

- Inline mounting
- Diaphragm design
- Inlet pressure 400 psig (27.6 bar) maximum
- Outlet pressure up to 250 psig (17.3 bar)
- Flow rates exceed 400 scfm
- High relief characteristics up to 200 scfm
- Pressure gauge 0 to 200 psig (0 to 14 bar) standard; 0 to 600 psig (0 to 40 bar) optional.

APPLICATIONS:

Any applications requiring high-flow rate such as:
Steel production • Aluminum production
Glass bottle production • Blow molding operations

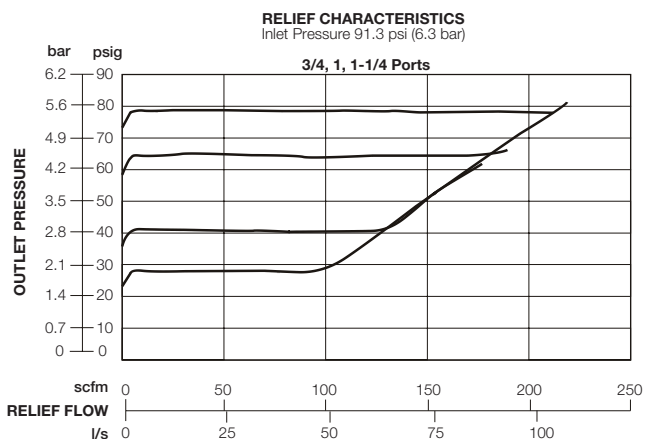
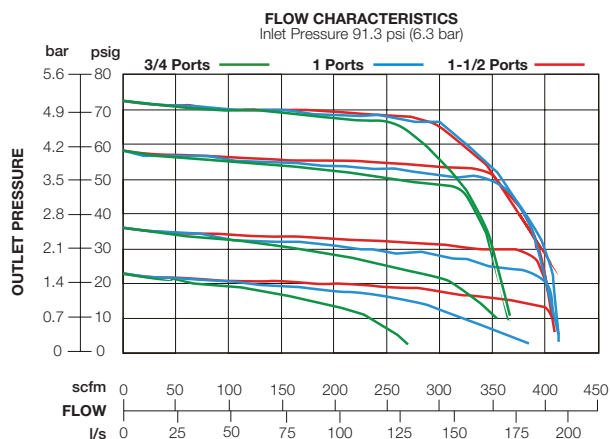
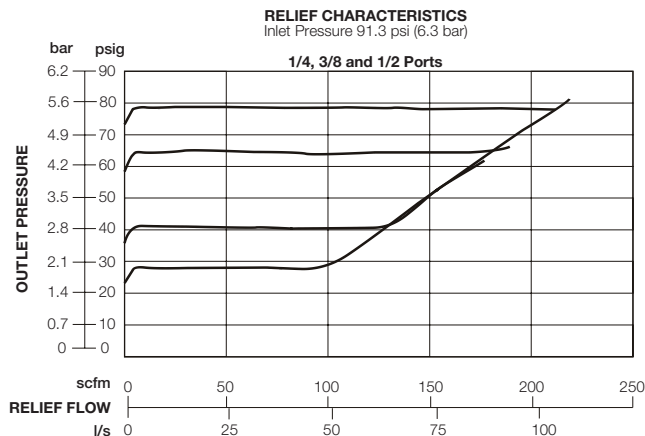
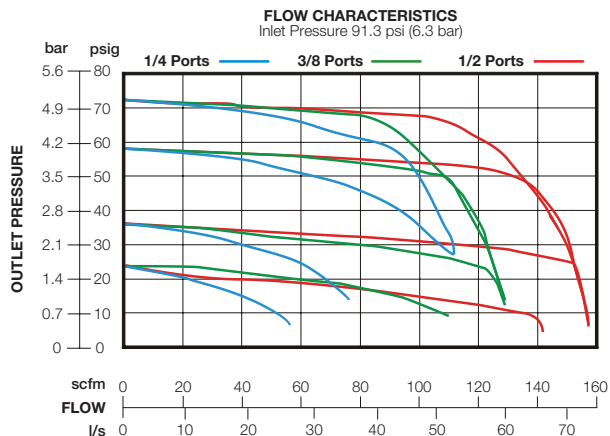
Port Size	Model Number*	Air Flow scfm (l/s)	Dimensions inches (mm)				Weight lb (kg)
			A	B	C	Depth**	
1/4	5216A2007	100 (47)	4.18 (106)	1.54 (39.1)	3.52 (89.3)	4.18 (106)	4.84 (2.2)
3/8	5216A3007	120 (57)	4.18 (106)	1.54 (39.1)	3.52 (89.3)	4.18 (106)	4.84 (2.2)
1/2	5216A4007	150 (70)	4.18 (106)	1.54 (39.1)	3.52 (89.3)	4.18 (106)	4.84 (2.2)
3/4	5216A5007	325 (153)	4.18 (117)	1.87 (47.5)	3.99 (101.3)	4.18 (106)	6.44 (3.0)
1	5216A6007	400 (189)	4.18 (117)	1.87 (47.5)	3.99 (101.3)	4.18 (106)	6.44 (3.0)
1 1/4	5216A7007	400 (189)	4.18 (117)	1.87 (47.5)	3.99 (101.3)	4.18 (106)	6.44 (3.0)

* NPT port threads; for BSPP threads, add the letter "C" in front of the model number. ** Less Gauge.



Consider it **DONE!**

FLOW CHARTS

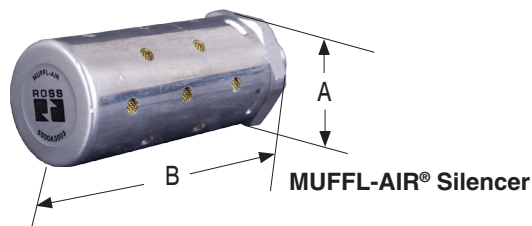


ACCESSORIES

MUFFL-AIR® Silencer

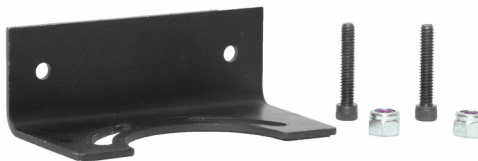
Port Size	Average C _v	Model Number	Dimensions inches (mm)	Weight lb (kg)
3/4	7.0	5500A5013	Male 1.3 (33) 3.8 (96)	0.5 (0.2)

* NPT port threads. For BSPP threads, add the letter "D" in front of the part number.



Bracket Assembly Kit

Model Number R-A37-381



ROSS CONTROLS®
U.S.A.
Customer Svs. 1-800-GET-ROSS
Technical Svs. 1-888-TEK-ROSS
www.rosscontrols.com

WARRANTY and CAUTIONS
Standard ROSS warranty and cautions apply, available upon request or at www.rosscontrols.com.

ROSS EUROPA GmbH Germany Fax: 49-6103-74694 info@rosseuropa.com	ROSS ASIA® K.K. Japan Fax: 81-427-78-7256 custsvc@rossasia.co.jp	ROSS UK Ltd. United Kingdom Fax: 44-121-559-5309 sales@rossuk.co.uk	ROSS CONTROLS® INDIA Pvt. Ltd. India Fax: 91-44-2625-8730 rossindia@airtelbroadband.in	ROSS SOUTH AMERICA Ltda. Brazil Fax: 55-11-4335-3888 vendas@ross-sulamerica.com.br	DIMAFLUID s.a.s. France Fax: 33-01-4945-6530 dimafluid@dimafluid.com	ROSS CONTROLS(CHINA) Ltd. China Fax: 86-21-6915-7960 alvinzhurong@vip.163.com
---	--	---	--	--	--	---

New Product Introduction

400 PSI High Pressure Regulator

Ports: 1/8, 1/4, 3/8



STANDARD SPECIFICATIONS

Ambient/Media Temperature:

40 to 175°F (4 to 80°C).

Body and Dome: Aluminum.

Knob: Nylon.

Fluid Media: Compressed Air.

Inlet Pressure: 400 psig (28 bar) Maximum.

Outlet Pressure: Adjustable up to 390 psig (27 bar).

Pressure Gauge: 0 to 600 psig (41 bar).

Gauge Ports: 1/4 NPTF ports front and rear.

Seals: Viton.

Max Flow Rate: 70 scfm @400 psi.

Problem:

Most spring activated regulators do not exceed 250 PSI.

Solution:

This unique regulator was designed for those applications with inlet pressure range from 0 to 400 PSI. This regulator is a sturdy design made of an aluminum body and dome with an adjusting knob to set the outlet as needed.

FEATURES:

- Inlet pressure 400 psig (28 bar) max.
- Pressure adjustment has a locking feature.
- Standard spring operating range : 0-390 psi.
- One full 360 degree turn of knob equals: 0-400 psi spring = 58 psi.
- Aluminum body and dome.
- Piston operation design.
- Large sensing ratio between valve and piston improves outlet pressure setting control.
- Self-relieving & Non-relieving.
- Pressure gauge included.
- NPTF port threads or BSPP port threads.

APPLICATIONS:

Any applications requiring above average pressure such as: nail guns, air hammers, cutters, injection molding.

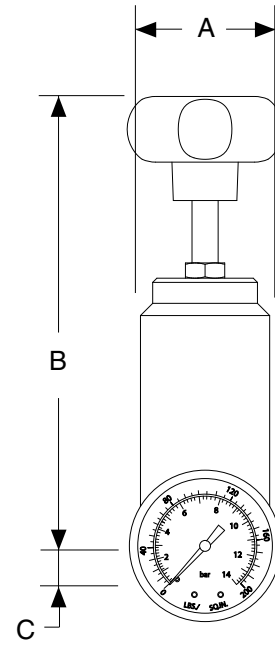
DIMENSIONS Inches (mm)

Port Size	A	B	C	Depth*	Weight* lb. (kg)
1/8-NPTF 1/4-NPTF	1.9 (47)	7.3 max (186) max	0.4 (10)	1.9 (47)	1.15 (0.53)
3/8-NPTF	2.1 (54)	7.4 max (188) max	0.5 (13)	2.1 (54)	1.30 (0.59)

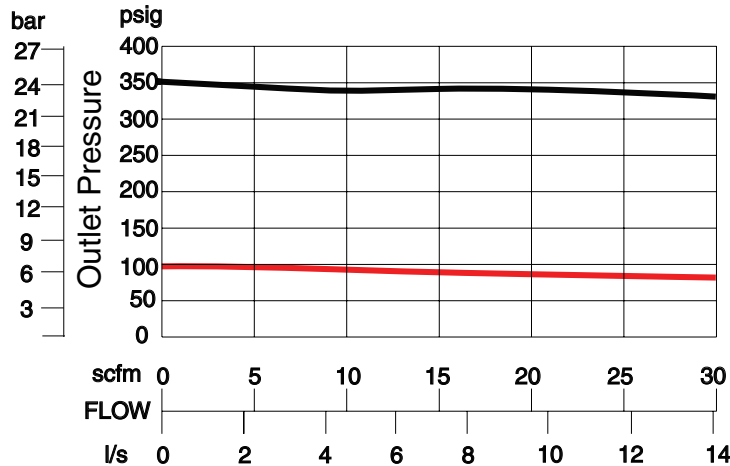
* Less Gauge.

Port Size	Model Number*	Piston Type	Seals	Gauge
1/8	5215B1004	Relieving	Viton	Yes
1/8	5X00B1025	Non-relieving	Viton	Yes
1/4	5215B2004	Relieving	Viton	Yes
1/4	5X00B2076	Non-relieving	Viton	Yes
3/8	5215B3004	Relieving	Viton	Yes
3/8	5X00B3052	Non-relieving	Viton	Yes

* NPTF port threads. For BSPP threads, add the letter "C" in front of the model number.



FLOW CHARACTERISTICS
using a 0-400 psig main spring and 400 psig inlet



ROSS CONTROLS®
U.S.A.

Customer Svs. 1-800-GET-ROSS
Technical Svs. 1-888-TEK-ROSS
www.rosscontrols.com

WARRANTY and CAUTIONS

Standard ROSS warranty and cautions apply, available upon request or at
www.rosscontrols.com/pdfs/cautionswarranty.pdf.

ROSS EUROPA GmbH
Germany

Fax: 49-6103-74694
info@rosseuropa.com

ROSS ASIA® K.K.
Japan

Fax: 81-427-78-7256
custsvc@rossasia.co.jp

ROSS UK Ltd.
United Kingdom

Fax: 44-121-559-5309
sales@rossuk.co.uk

ROSS CONTROLS® INDIA Pvt. Ltd.
India

Fax: 91-44-2625-8730
rossindia@airtelbroadband.in

ROSS SOUTH AMERICA Ltda.
Brazil

Fax: 55-11-4335-3888
vendas@ross-sulamerica.com.br

DIMAFLUID s.a.s.
France

Fax: 33-01-4945-6530
dimafluid@dimafluid.com

ROSS CONTROLS(CHINA) Ltd.
China

Fax: 86-21-6915-7960
alvinzhurong@vip.163.com

New Product Introduction

Remote Piloted Regulator 3" Port

Models Numbers
5211B9008 and 5X00B9021



Application Example:

The 3" port regulator shown with a control regulator (sold separately). This is one example of connecting a control regulator, see Bulletin 420 (A10120) for applicable regulators.



STANDARD SPECIFICATIONS

Ambient/Media Temperature:

40 to 175°F (4 to 79°C).

Body and Dome: Aluminum.

Fluid Media: Compressed Air.

Inlet Pressure: 300 psig (21 bar) Maximum.

Outlet Pressure: 0 to 200 psig (0 to 14 bar).

Note: Outlet pressure depends on the selection of the control regulator.

Pilot Ports: 1/4-NPTF (1/4 BSPP).

Pressure Gauge: 0 to 200 psig (0 to 14bar);
1/4-NPTF (1/4 BSPP) gauge ports front and rear.

Seals: Nitrile, optional Viton.

Valve: Aluminum.

Valve Cap: Aluminum.

Option: Non-Relieving

Need more flow from your standard regulator?

Most pilot operated regulators do not have 3" ports. Users were required to use two 2" regulators in parallel.

Solution:

This unique pilot operated regulator was designed for those applications with flow rates exceeding 4,000 SCFM (1900 l/s). This pilot operated regulator allows control from a convenient location without entering an unsafe or hard-to-reach area.

General:

Analysis of pilot-operated regulators can be simplified by viewing them as two independent regulators connected together. The smaller of the two is generally the control regulator.

Inline mounting:

NPTF port threads; BSPP port threads.

FEATURES:

- Inlet pressure 300 psig (21 bar) max.
- Outlet pressure 200 psig (14 bar).
- Air Flow greater than 4,000 SCFM (1900 l/s).
- Control regulator provides manual control to the pilot operated regulator.
- Aluminum body and dome.
- Piston operation design.
- Inline mounting.
- Relieving - non-relieving optional (consult ROSS).
- Gauge included - can be mounted on front or back of regulator.
- NPTF and BSPP port threads.

APPLICATIONS:

- Any applications requiring high-flow rate such as:
- Main plant air supply
 - Steel production
 - Aluminum production
 - Glass bottle production
 - Blow molding operations

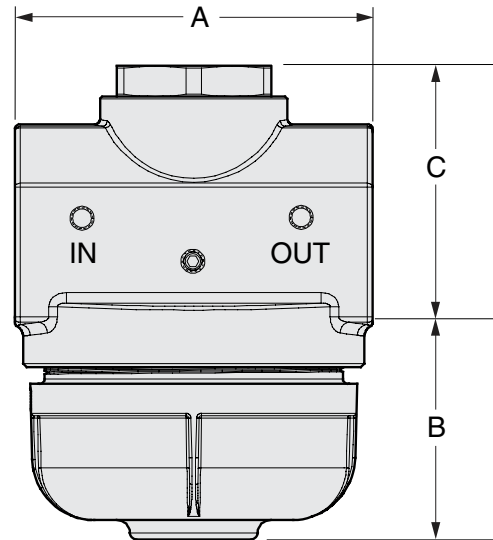
DIMENSIONS Inches (mm)

Port Size	A	B	C	Depth*	Weight* lb. (kg)
3-NPTF (BSPP)	8.40 (214)	7.36 (187)	3.74 (95)	8.00 (203)	21.77 (9.88)

* Less Gauge.

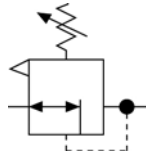
Model Number	Port Thread	Seals
5211B9008	NPTF	Nitrile
5X00B9021	NPTF	Viton

NOTE: For BSPP threads, add the letter "C" in front of the model number.



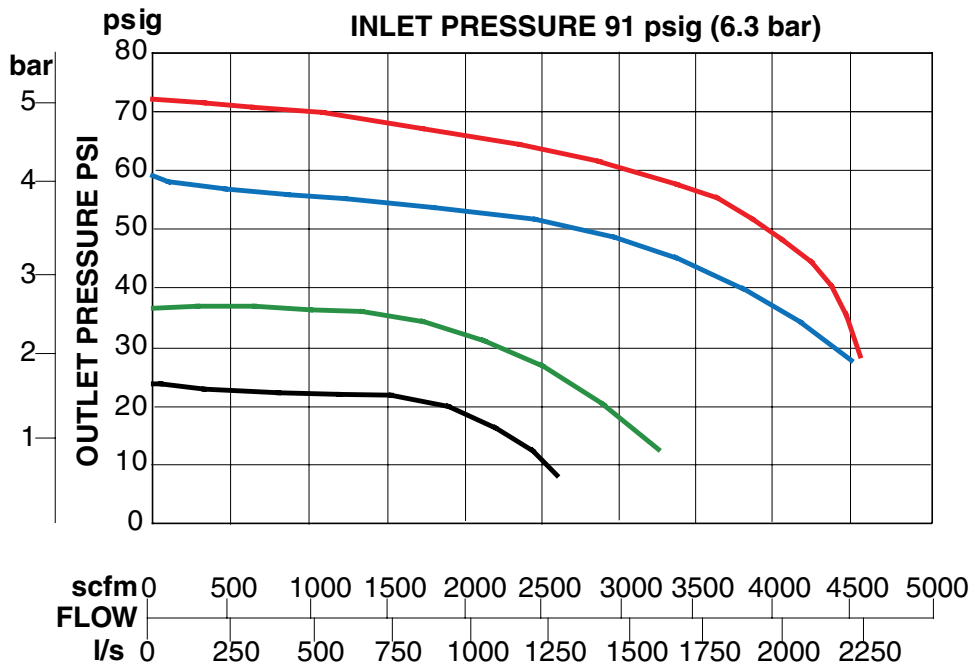
ISO
Regulator Symbol

Self-Relieving



FLOW CHARACTERISTICS

INLET PRESSURE 91 psig (6.3 bar)



ROSS CONTROLS®

U.S.A.

Customer Svs. 1-800-GET-ROSS

Technical Svs. 1-888-TEK-ROSS

www.rosscontrols.com

WARRANTY and CAUTIONS

Standard ROSS warranty and cautions apply, available upon request or at
www.rosscontrols.com/pdfs/cautionswarranty.pdf.

ROSS EUROPA GmbH

Germany

Fax: 49-6103-74694

info@rosseuropa.com

ROSS ASIA® K.K.

Japan

Fax: 81-427-78-7256

custsvc@rossasia.co.jp

ROSS UK Ltd.

United Kingdom

Fax: 44-121-559-5309

sales@rossuk.co.uk

ROSS CONTROLS® INDIA Pvt. Ltd.

India

Fax: 91-44-2625-8730

rossindia@airtelbroadband.in

ROSS SOUTH AMERICA Ltda.

Brazil

Fax: 55-11-4335-3888

vendas@ross-sulamerica.com.br

DIMAFLUID s.a.s.

France

Fax: 33-01-4945-6530

dimafluid@dimafluid.com

ROSS CONTROLS(CHINA) Ltd.

China

Fax: 86-21-6915-7960

alvinzhurong@vip.163.com

New Product Information

NEW HIGH-CAPACITY Water & Particulate Removal Filter

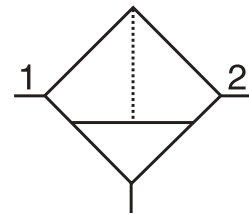
WATER REMOVAL PROCESS

This point of use filter / dryer bridges the gap between a coalescing filter and refrigerated dryer. It is specifically engineered to use a centrifugal spinning process on the air, water, dirt, and oil found within the system. This spinning action causes the contaminants to push outward, where they then move down the surface of the bowl into a quiet zone for removal. Additional baffling is provided to prevent the contaminants from reentering the air stream. The air that has been purged of its liquid particulate is then fed through a cleanable sintered bronze 5 micron element before going to downstream components. Proper system flow sizing assures that the most aggressive action takes place within the unit allowing for optimum performance. Flow rates range from 330 SCFM - 655 SCFM. **Stand-Alone Gauge with Feedback** allows non-monitored filter components to send feedback.



FILTER FEATURES

- Variety of flow rates available from 330 thru 655 Scfm.
- Easy to read large profile gauge shows condition of filter element.
- Gauge is also available in electric pressure switch version with 4-pin micro connector.
- Large bottom drain port allows contaminates to be removed quickly.
- Manual or automatic drain available.
- Porting Options: SAE 12, 16, 20, or 24
NPT 3/4, 1, 1-1/4, or 1-1/2
For additional porting, consult ROSS.
- High flow element is cleanable sintered bronze with a 5 micron filtration.
- Easy change filter unit requires no tools.
- Metal bowl.
- Sight glass on bowl shows liquid level.
- Electric gauge available as a stand alone unit if you want feedback for other non-monitored filter components.



STANDARD SPECIFICATIONS

Ambient/Media Temperature:

40° to 175°F (4° to 79°C).

Flow Media: Compressed air.

Inlet Pressure: 200 psig (14 bar).

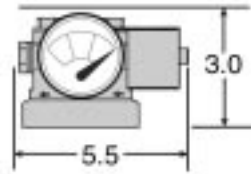
Standard Gauge Version

Electric Gauge Version

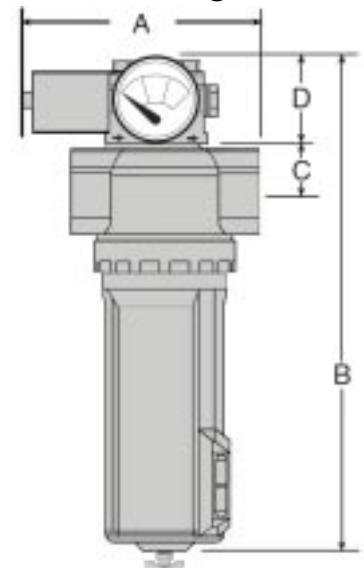
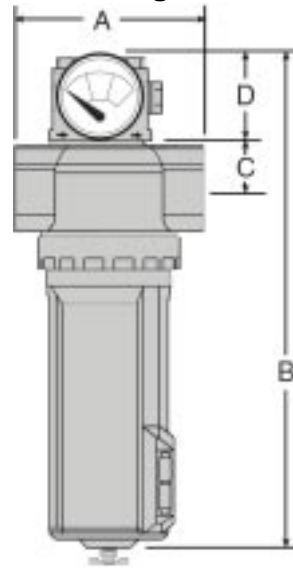


318C82

Gauge with Bottom Flange for Remote Mounting



Model Number	Port Size
317C82	1/8"



Std. Gauge Manual Drain	Std. Gauge Auto Drain	SCFM (liters/min.)	Port Size	Dimensions inches (mm)				Weight (lb./kg.)
				A	B	C	D	
5X00B5082	5X00B5090	330 (156)	12 SAE	4.5 (114)	13.6 (346)	1.0 (25)	2.5 (64)	3.9 (1.8)
5X00B6061	5X00B6068	450 (212)	16 SAE	4.5 (114)	13.6 (346)	1.0 (25)	2.5 (64)	3.9 (1.8)
5X00B7030	5X00B7037	640 (302)	20 SAE	5.5 (140)	14.8 (377)	1.4 (36)	2.5 (64)	6.4 (2.9)
5X00B8033	5X00B8039	655 (309)	24 SAE	5.5 (140)	14.8 (377)	1.4 (36)	2.5 (64)	6.4 (2.9)
5X00B5081	5X00B5089	330 (156)	3/4 NPT	4.5 (114)	13.6 (346)	1.0 (25)	2.5 (64)	3.9 (1.8)
5X00B6060	5X00B6067	450 (212)	1 NPT	4.5 (114)	13.6 (346)	1.0 (25)	2.5 (64)	3.9 (1.8)
5X00B7029	5X00B7036	640 (302)	1-1/4 NPT	5.5 (140)	14.8 (377)	1.4 (36)	2.5 (64)	6.4 (2.9)
5X00B8032	5X00B8038	655 (309)	1-1/2 NPT	5.5 (140)	14.8 (377)	1.4 (36)	2.5 (64)	6.4 (2.9)

4-Pin Elec. Manual Drain	4-Pin Elec. Auto Drain	SCFM (liters/min.)	Port Size	Dimensions inches (mm)				Weight (lb./kg.)
				A	B	C	D	
5X00B5093	5X00B5092	330 (156)	12 SAE	6.5 (165)	13.6 (346)	1.0 (25)	2.5 (64)	3.9 (1.8)
5X00B6069	5X00B6070	450 (212)	16 SAE	6.5 (165)	13.6 (346)	1.0 (25)	2.5 (64)	3.9 (1.8)
5X00B7038	5X00B7039	640 (302)	20 SAE	7.5 (190)	14.8 (377)	1.4 (36)	2.5 (64)	6.4 (2.9)
5X00B8040	5X00B8041	655 (309)	24 SAE	7.5 (190)	14.8 (377)	1.4 (36)	2.5 (64)	6.4 (2.9)
5X00B5094	5X00B5095	330 (156)	3/4 NPT	6.5 (165)	13.6 (346)	1.0 (25)	2.5 (64)	3.9 (1.8)
5X00B6071	5X00B6072	450 (212)	1 NPT	6.5 (165)	13.6 (346)	1.0 (25)	2.5 (64)	3.9 (1.8)
5X00B7040	5X00B7041	640 (302)	1-1/4 NPT	7.5 (190)	14.8 (377)	1.4 (36)	2.5 (64)	6.4 (2.9)
5X00B8042	5X00B8043	655 (309)	1-1/2 NPT	7.5 (190)	14.8 (377)	1.4 (36)	2.5 (64)	6.4 (2.9)



ROSS CONTROLS®
U.S.A.
TEL 800-GET-ROSS
custsvc@rosscontrols.com

ROSS EUROPA GmbH
Germany
FAX 49-6103-7469-4
info@rosseuropa.com

ROSS ASIA K.K.
Japan/China
FAX 81-427-78-7256
custsvc@rossasia.co.jp

ROSS UK Ltd.
United Kingdom
FAX 44-1280-705630
sales@rossuk.co.uk

ROSS SOUTH AMERICA Ltda.
Brazil
TEL 55-11-4335-2200
vendas@ross-sulamerica.com.br

ROSS CONTROLS INDIA Pvt. Ltd.
India
FAX 91-44-625-8730
sales@rosscontrolsindia.com

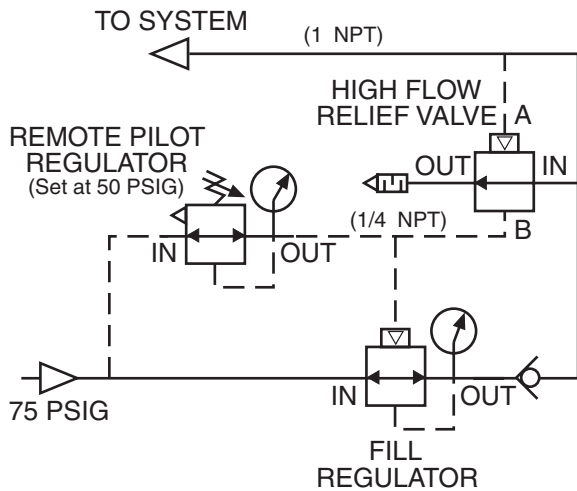
New Product Information

High Flow Relief Valve

Great for counter balance applications!

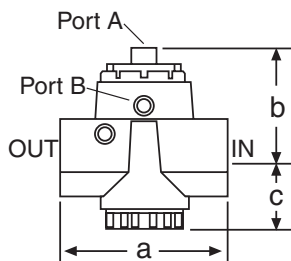


**Model Number
5X00D6012**



STANDARD SPECIFICATIONS

Port Size: 1 NPT
Inlet Pressure: 300 psig (20.69 bar).
Pilot Pressure: 0 to 200 psig (0 to 13.8 bar).



Dimensions inches(mm)				Weight Lb (kg)
a	b	c	Depth	
4.4 (111)	4.8 (122)	2.5 (62)	2.9 (72)	1.8 (0.8)

The High Flow Relief valve is designed to prevent the over-pressurization of pneumatic components and systems.

On the left is a typical circuit using the High Flow Relief Valve. The circuit utilizes a remotely piloted "fill" regulator (port size 1 NPT) and a small, remotely mounted, pilot regulator with 1/4 NPT ports.

The required system pressure is set by adjusting the knob on the pilot regulator until the desired system pressure is shown on the pilot regulator's gauge. An example system pressure of 50 PSIG was selected in the circuit on the left.

Outlet pressure from the pilot regulator is sent to the fill regulator's signal port and the "B" port of the High Flow Relief Valve. The "A" port of the High Flow Relief Valve is connected to the system, as shown, to monitor system pressure.

If the system pressure exceeds the pilot regulator setting (setpoint), the High Flow Relief Valve will begin to exhaust air after an approximate 2 psig rise above the setpoint.

Should the system pressure drop below the setpoint, the fill valve will open to supply air downstream and maintain the system at the setpoint.



ROSS CONTROLS®
 U.S.A.
 TEL 800-GET-ROSS
 custsvc@rosscontrols.com

ROSS EUROPA GmbH
 Germany
 FAX 49-6103-7469-4
 info@rosseuropa.com

ROSS ASIA K.K.
 Japan/China
 FAX 81-427-78-7256
 custsvc@rossasia.co.jp

ROSS UK Ltd.
 United Kingdom
 FAX 44-1280-705630
 sales@rossuk.co.uk

ROSS SOUTH AMERICA Ltda.
 Brazil
 TEL 55-11-4335-2200
 vendas@ross-sulamerica.com.br

ROSS CONTROLS INDIA Pvt. Ltd.
 India
 FAX 91-44-625-8730
 sales@rosscontrolsindia.com

New Product Information

Multi-Outlet Reverse-Flow Regulators

ROSS reverse-flow regulators provide regulated pressure control from in-to-out, and quick exhausting from out-to-in. When the inlet side of the regulator is exhausted, the regulator piston or diaphragm snaps open to allow the immediate exhausting of secondary pressure.

- **Less Clutter and Piping**

No need to pipe in a bypass check valve around a regulator to accomplish any of these functions. Fewer pipe joints also reduces leakage.

- **Easy Changeout and Installation**

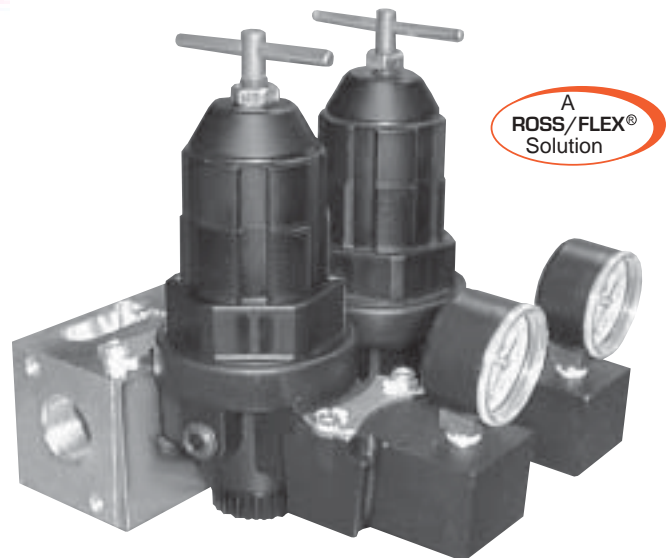
With ROSS reverse-flow regulators you can simplify your piping, saving installation time and cost.

- **Stackable**

Stack as many reverse-flow regulators as necessary for your application. Also available as single non-stackable units – see back of this sheet.

Where can you use these regulators?

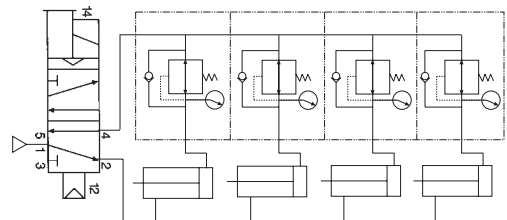
- Dual pressure control of a cylinder or other pneumatic actuator.
- Downstream regulation of weld guns for “hard” tooling applications.
- To eliminate the problem of trapped air downstream of a regulator when supply pressure is exhausted.



3900A0592-2

Includes two full-size regulators. The number after the dash indicates how many regulators are included. For example, if your application requires four regulators, then the model you would order is 3900A0592-4. Gauges sold separately – 5400A1007.

Typical Application



STANDARD SPECIFICATIONS

Ambient/Media Temperature: 40° to 125°F (4° to 52°C)

Flow Media: Compressed air

Inlet Pressure: 17 bar (250 psig) maximum

Regulated Pressure Range: 0 to 100 psig

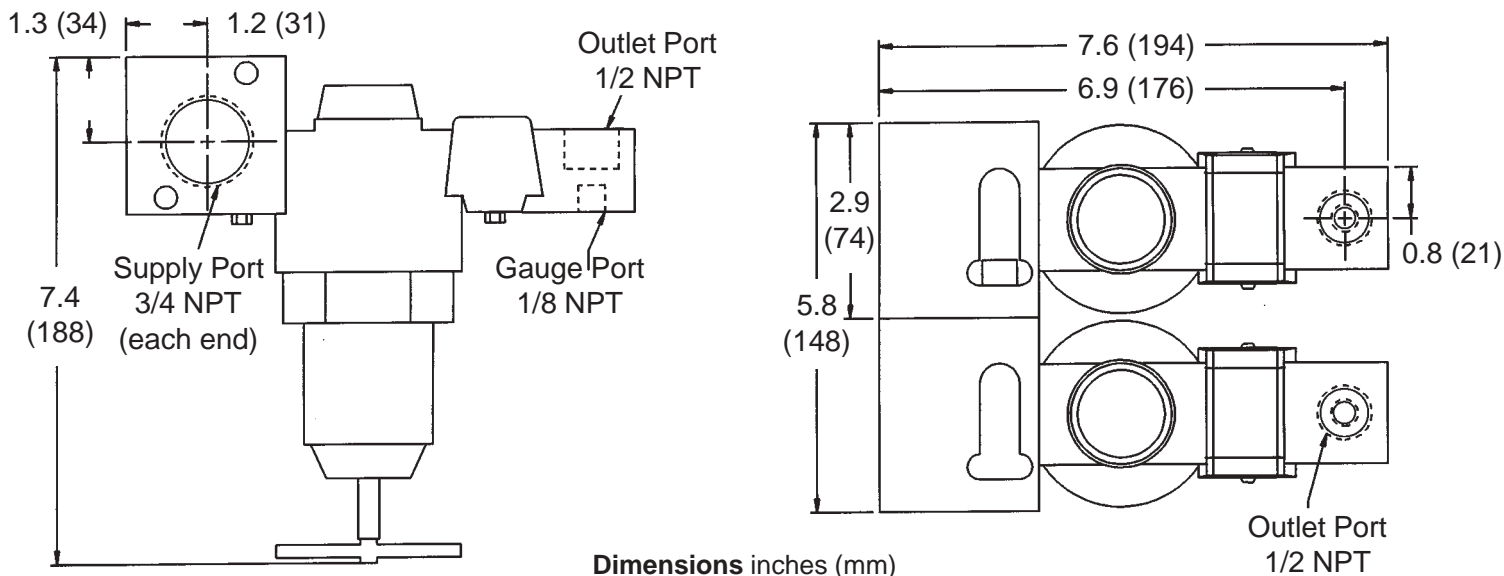
Flow: 90 scfm

Manifold Supply Ports: 3/4 NPT

Outlet Ports: 1/2 NPT

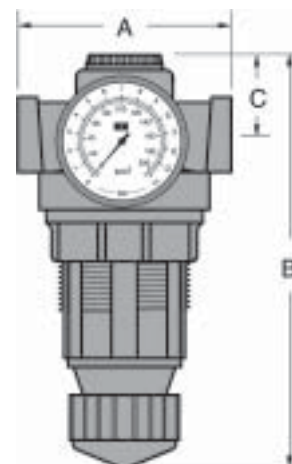
Gauge Ports: 1/8 NPT

3900A0592-2



Single-Outlet Reverse-Flow Regulators

Series	Scfm (liters/min)	Port Size	Model Numbers		Dimensions inches (mm)		
			Knob	T-Handle	A	B	C
Mid-Size	65 (1840)	3/8	5X00B3024	5X00B3021	2.7 (68)	4.6 (117)	1.3 (33)
	75 (2120)	1/2	5X00B4023	5X00B4041	2.7 (68)	4.6 (117)	1.3 (33)
Full-Size	65 (1840)	3/8	5X00B3004	5X00B3012	3.5 (89)	5.5 (139)	1.3 (33)
	90 (2540)	1/2	5X00B4004	5X00B4047	3.5 (89)	5.5 (139)	1.3 (33)
	120 (3400)	3/4	5X00B5034	5X00B5044	3.5 (89)	5.5 (139)	1.3 (33)
High-Capacity	170 (4810)	3/4	5X00B5049	5X00B5050	4.4 (111)	6.5 (165)	1.9 (49)
	170 (4810)	1	5X00D6003	5X00D6038	4.4 (111)	6.5 (165)	1.9 (49)
	800 (22650)	1-1/4	5X00C7003	5X00C7016	4.9 (124)	6.7 (170)	1.7 (43)
	800 (22650)	1-1/2	5X00C8001	5X00C8024	4.9 (124)	6.7 (170)	1.7 (43)



WARRANTY

Products manufactured by ROSS are warranted to be free of defects in material and workmanship for a period of one year from the date of purchase. ROSS' obligation under this warranty is limited to repair or replacement of the product or refund of the purchase price paid solely at the discretion of ROSS and provided such product is returned to ROSS freight prepaid and upon examination by ROSS is found to be defective. This warranty shall be void in the event that product has been subject to misuse, misapplication, improper maintenance, modification or tampering. THE WARRANTY EXPRESSED ABOVE IS IN LIEU OF AND EXCLUSIVE OF ALL OTHER WARRANTIES AND ROSS EXPRESSLY DISCLAIMS ALL OTHER WARRANTIES EITHER EXPRESSED OR IMPLIED WITH RESPECT TO MERCHANTABILITY OR FITNESS FOR A PARTICULAR PURPOSE. ROSS MAKES NO WARRANTY WITH RESPECT TO ITS PRODUCTS MEETING THE PROVISIONS OF ANY GOVERNMENTAL OCCUPATIONAL SAFETY AND/OR HEALTH LAWS OR REGULATIONS. IN NO EVENT SHALL ROSS BE LIABLE TO PURCHASER, USER, THEIR EMPLOYEES OR OTHERS FOR INCIDENTAL OR CONSEQUENTIAL DAMAGES WHICH MAY RESULT FROM A BREACH OF THE WARRANTY DESCRIBED ABOVE OR THE USE OR MISUSE OF THE PRODUCTS. NO STATEMENT OF ANY REPRESENTATIVE OR EMPLOYEE OF ROSS SHALL EXTEND THE LIABILITY OF ROSS AS SET FORTH HEREIN.



ROSS CONTROLS®
U.S.A.
TEL 800-GET-ROSS
custsvc@rosscontrols.com

ROSS EUROPA GmbH
Germany
FAX 49-6103-7469-4
info@rosseuropa.com

ROSS ASIA K.K.
Japan/China
FAX 81-427-78-7256
custsvc@rossasia.co.jp

ROSS UK Ltd.
United Kingdom
FAX 44-121-559-5309
sales@rossuk.co.uk

ROSS SOUTH AMERICA Ltda.
Brazil
TEL 55-11-4335-2200
vendas@ross-sulamerica.com.br

ROSS CONTROLS INDIA Pvt. Ltd.
India
FAX 91-44-2625-8730
sales@rosscontrolsindia.com