

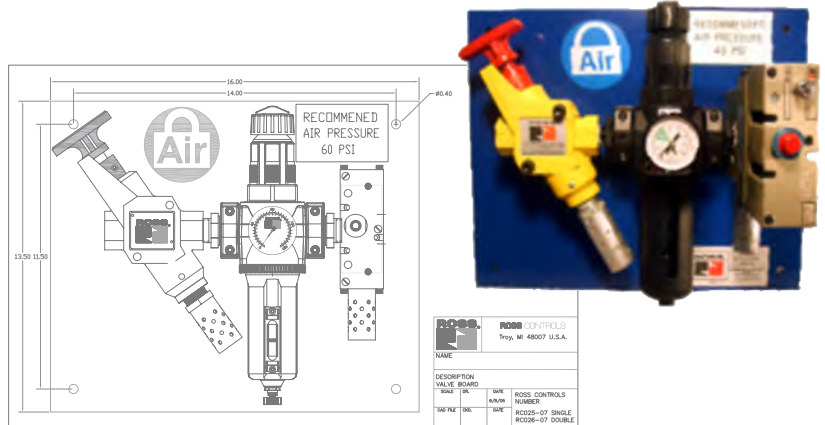
ROSS INTEGRATED SYSTEMS

ROSS offers custom design, manufacturing and support of complete valve and filtration systems.

Services Provided:

- Systems Engineering
- Controls Engineering
- Schematics and Drawings
- Custom Fabrication
- Installation Assistance

ROSS Systems offers engineering and construction of Valve and Filter Assemblies, Wall or Plates Mounted Systems, Valve Stands, and Enclosed System Panels to allow quick and easy installation at the job site.



We Turn “What If” into Reality

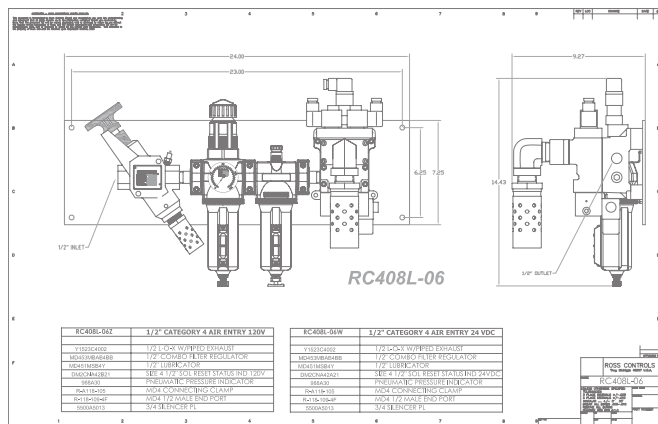


What if you could turn your list of components into a single part number that would increase your installation, maintenance and purchasing efficiencies?

ROSS can review your current schematics, bill of materials, and specifications, compare your current installation to new technologies available today, and incorporate any changes in your strategy.

From simple to complex, ROSS can design and build your system using industry best practices in accordance to your specifications and industry standards – including safety!

Your system will have the same quality that you have come to expect from ROSS components and would arrive fully tested and ready for installation.



ROSS Systems . . .

Consider it DONE!

ROSS expertise, as the Global Leader in Fluid Power Safety, helps you to decrease the levels of risk and assists in meeting safety regulations.



Consider it **DONE!**



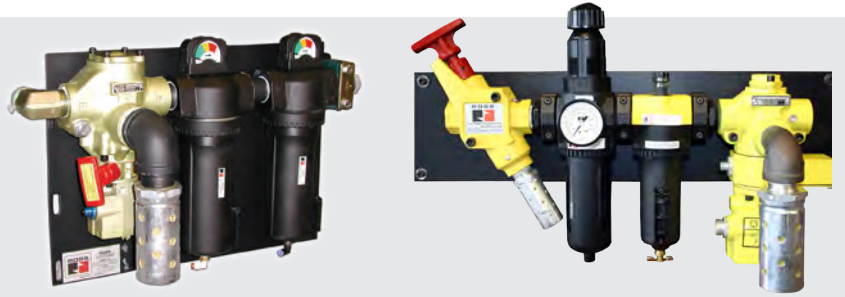
Valve and Filter Assemblies

Components are assembled at ROSS and shipped under one part number.



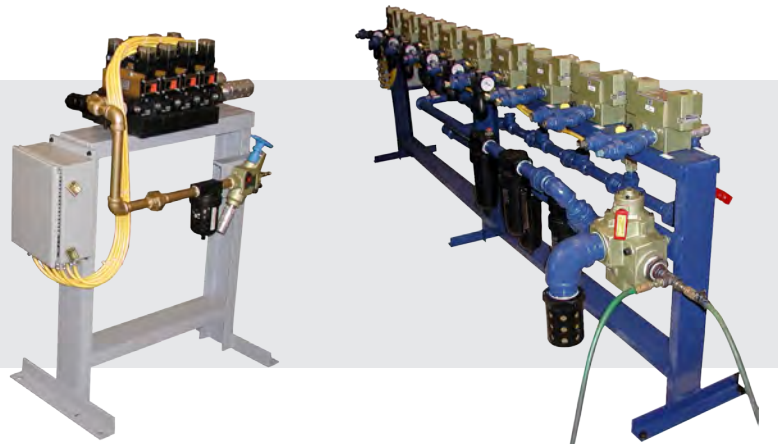
Wall or Plate Mounted Systems

Components are assembled and piped at ROSS, mounted on a plate and shipped under one part number.



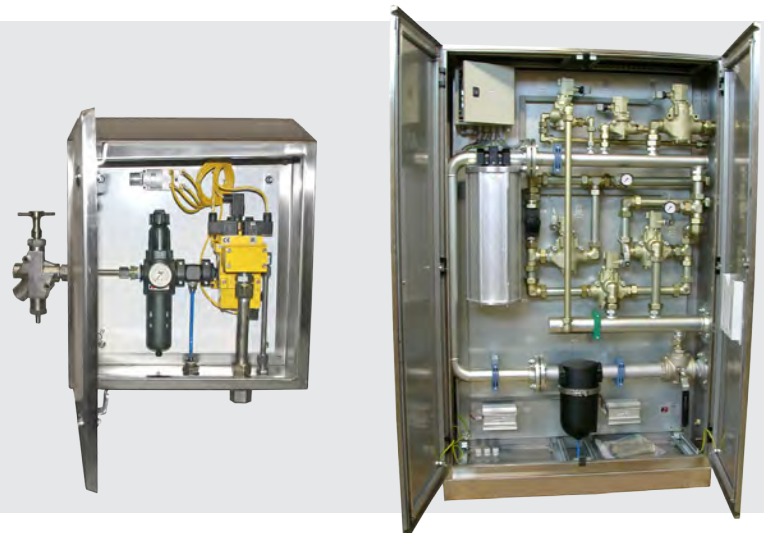
Valve Stands

Free standing valve stands provides a flexible way to isolate and position a group of valves near the tooling.



Enclosed System Panels (Cabinets)

ROSS provides custom systems with enclosed panels for harsh or hazardous conditions. Constructed with materials that meet your industry demands including stainless steel.



Consider it **DONE!**

ROSS CONTROLS U.S.A.

Customer Svs. 1-800-GET-ROSS
Technical Svs. 1-888-TEK-ROSS
www.rosscontrols.com

ROSS EUROPA GmbH
Germany
Fax: 49-6103-74694
info@rosseuropa.com

ROSS ASIA K.K.
Japan
Fax: 81-427-78-7256
custsvc@rossasia.co.jp

ROSS UK Ltd.
United Kingdom
Fax: 44-121-559-5309
sales@rossuk.co.uk

ROSS CONTROLS INDIA Pvt. Ltd.
India
Fax: 91-44-2625-8730
rossindia@airtelmail.in

ROSS SOUTH AMERICA Ltda.
Brazil
Fax: 55-11-4335-3888
vendas@ross-sulamerica.com.br

DIMAFLUID s.a.s.
France
Fax: 33-01-4945-6530
dimaf Fluid@dimaf Fluid.com

ROSS CONTROLS (CHINA) Ltd.
China
Fax: 86-21-6915-7960
rosscontrolschina.com

